



MODERN, EFFECTIVE AND ENVIRONMENTALLY FRIENDLY TECHNOLOGY FOR ELIMINATING ODOURS IN SMALL SPACES

FIELDS OF APPLICATION:

- | | |
|------------------------|------------------------|
| Waste rooms | Smoke rooms |
| Offices | Attics |
| Environmental stations | Hotel rooms and cabins |
| Kitchens | Apartments |
| Cellars | Cars and boats |



AirMaid® 500 W

LIGHTWEIGHT MOBILE UNIT FOR SIMPLER SANITIZING



AirMaid® in Waste Rooms

AirMaid® W is a lightweight mobile unit which can also be used for permanent installations. Air quality is improved through environmentally friendly and cost effective technology. The power consumption is low as well. AirMaid® W eliminates odours from waste, food, smoke, moulds, paint, etc. Bacteria and other allergenic particles in the air are also reduced.

AirMaid® W ozone generator:

- Effective air treatment, immediate effect
- Minimal maintenance and service
- Better than other ozone generators (CGC)
- Stepless ozone adjustment



AirMaid® in the Cabin

ENVIRONMENT

HEAT RECOVERY

Recovering heat from industrial kitchens has always been problematic due to the high concentration of grease in the air. Installing AirMaid® will make it possible to recycle heat even from the kitchen using a heat exchanger.

ENVIRONMENTALLY FRIENDLY TECHNOLOGY

AirMaid® offers advanced, environmentally friendly technology for ozone production, which is highly valued by its users who prioritize safety, economy and environment.

OZONE

Ozone (O₃) is a gas comprised of three oxygen atoms. Ozone is very reactive and efficiently oxidizes all kinds of organic compounds.

THREE-YEAR GUARANTEE

All AirMaid® products are delivered with a three-year guarantee.

CGC "CORONA GLASS CELL"

AirMaid® is based on Interzon's unique Corona Glass Cell where ozone is produced by electrical discharge.

CGC is an Interzon invention for ozone production that has a very long service life and requires little to no maintenance.

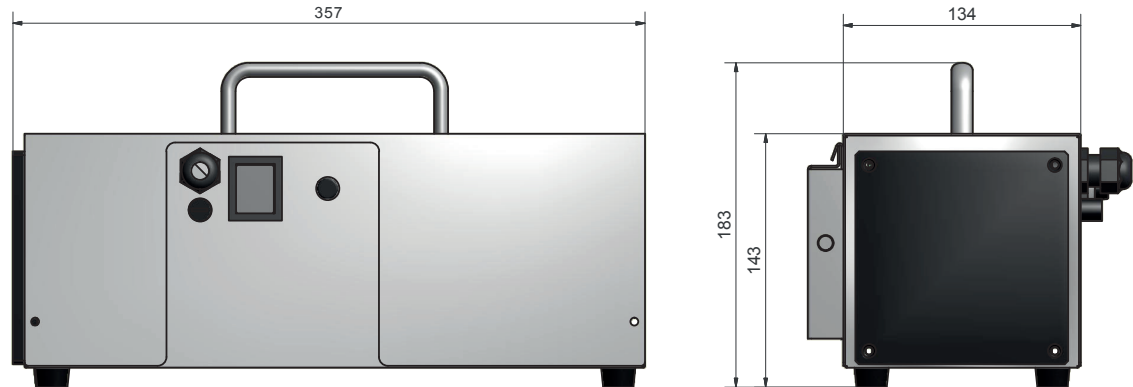
The CGC technology has been on the market since 1996.



CGC "Corona Glass Cell"

INSTALLATION

The product must be installed on a level surface according to the illustration below, preferably 2 m above the floor because ozone is heavier than air. The ambient temperature may not exceed 40°C.



The generator in the illustration is equipped with the optional wall mount with lock function.

USE

The production of ozone can be easily adjusted from 0 to 500 mg/h. The generator is delivered with a 2.5 m power cable. The wall mount with lock function and 100 mm duct flanges are available as optional accessories.

SERVICE & MAINTENANCE

The ozone cell in the generator must be inspected and if necessary cleaned at least once a year. The air filter must be replaced at least once a year. An inspection is recommended 3 months after the installation.

TECHNICAL SPECIFICATION

AirMaid®	Ozone Capacity	Power	Voltage	Weight
500 W	0-500 mg/h	55 W	230V/50-60Hz	4 kg

Material: AISI 304 stainless steel
Operating temperature: From -25 to +40°C
Dimensions WxLxH: 135x360x145mm
Fan capacity: 160 m³/h (ideal)



Interzon AB
Propellervägen 4A
SE-183 62 Täby, Sweden

Tel: +46 8 544 444 30
Fax: +46 8 544 444 39
Email: info@interzon.com
Internet: www.interzon.com